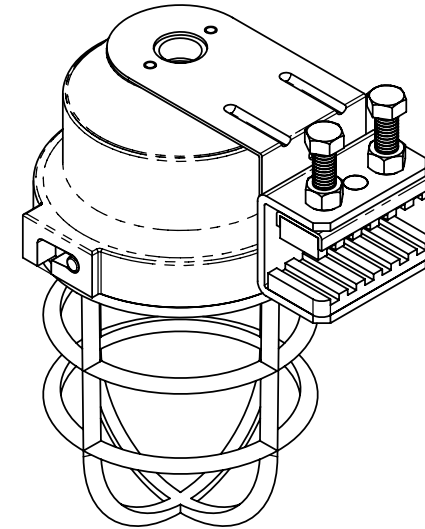
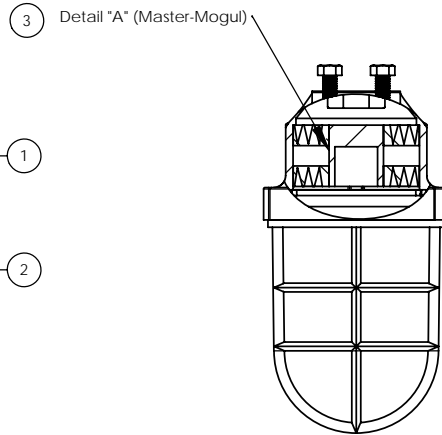
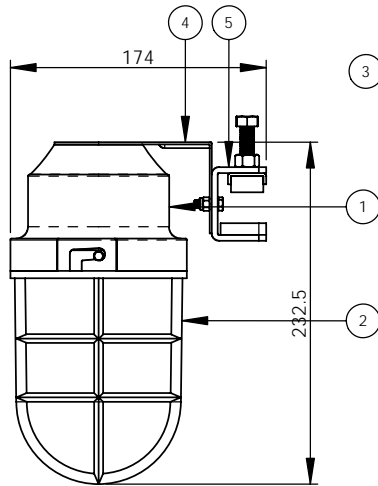



Detail "A" (Master-Mogul)

No	Description	Material	Remarks
1	상부 실리콘	Silicone	
2	하부 실리콘	Silicone	
3	소켓		



9							DATE	 상보산업주식회사		
8						DRAWN				
7						CHECKED				
6						ENG APPR.				
5	Master-Cramp	STEEL	PAINTING, 4.0t			MFG APPR.		MODEL	SMG-BR500	
4	브라켓	STEEL	PAINTING, 1.5t			O.A.		PART NAME	점검등(가로)	
3	Master-Mogul	SILICONE	HEAT-RESISTING			COMMENTS:				
2	망	ALUMINIUM	CASTING, PAINTING	MATERIAL	ALUMINIUM			SIZE	DWG. NO.	REV.
1	몸체	ALUMINIUM	CASTING, PAINTING	FINISH	-			A	SB-G0003	
NO.	DESCRIPTION	MATERIAL	REMARKS	DO NOT SCALE DRAWING			SCALE:1:1	WEIGHT	SHEET 1 OF 1	